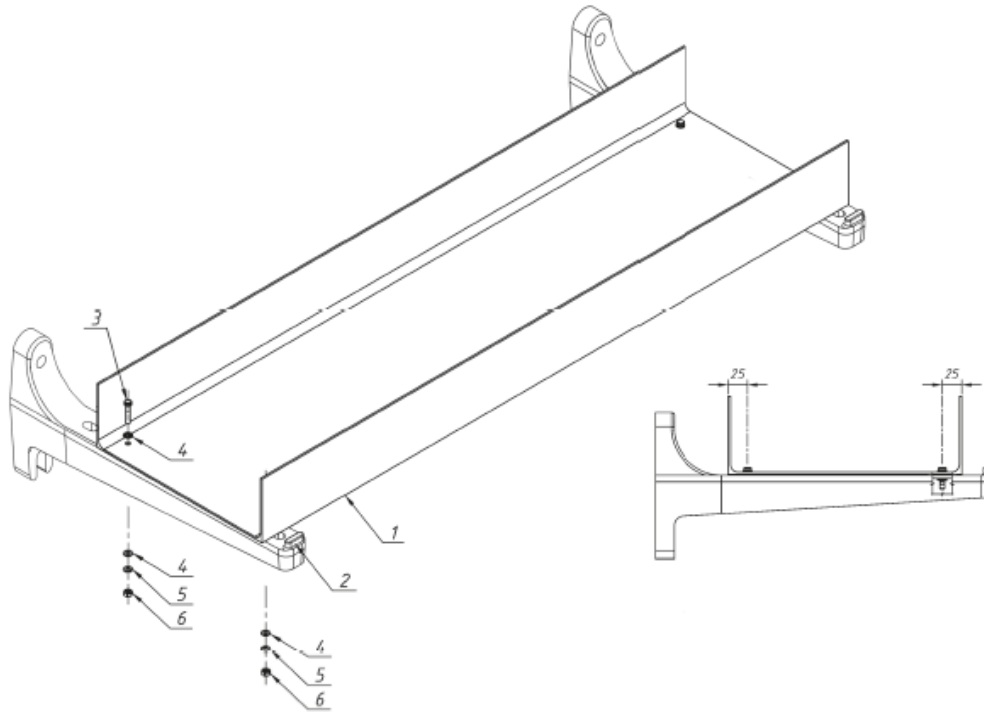


INSTALLATION OPTIONS

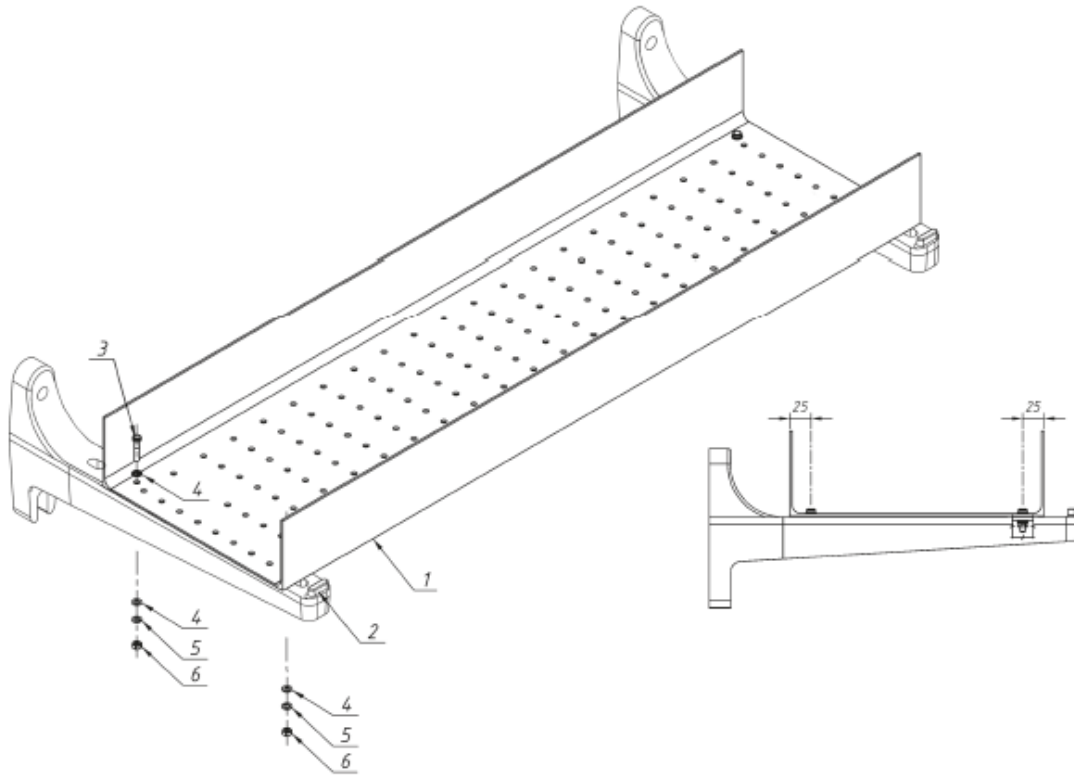


I. Solid bottom cable tray SB - supporting construction fastening



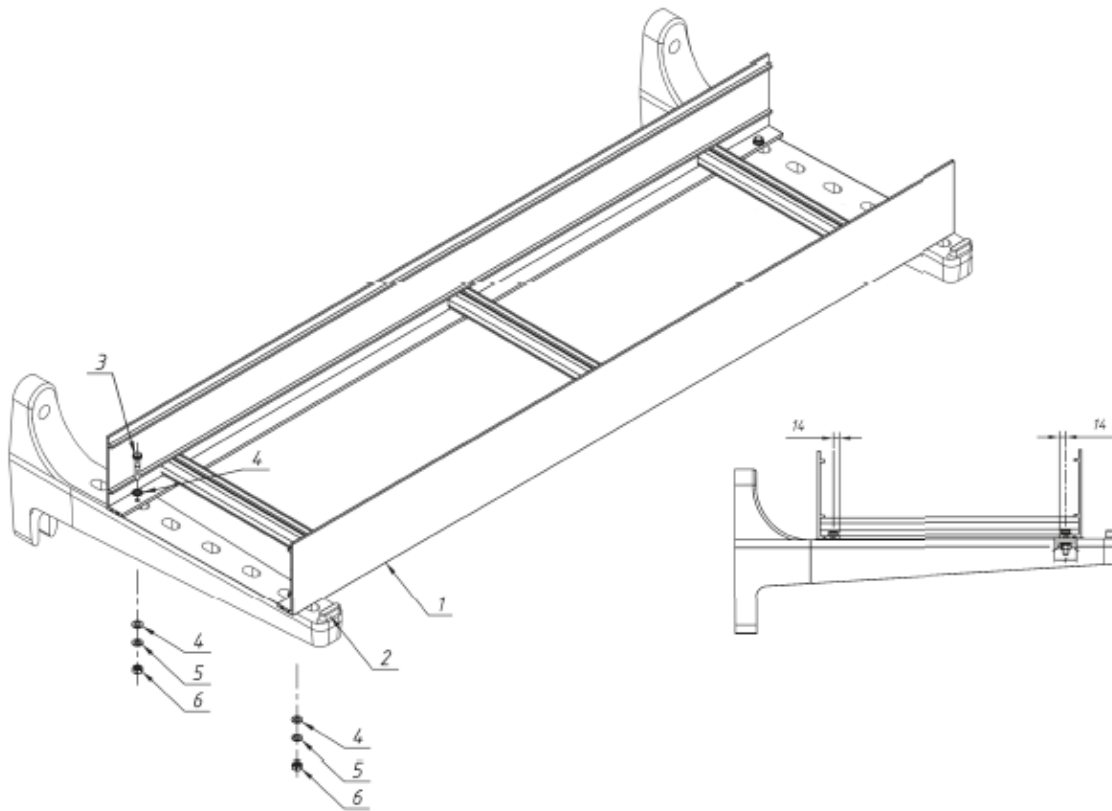
#	Item	Unit of Measure	Quantity	Unit Weight kg (lb)
1	Solid Bottom Cable Tray	m/in	n	-
2	Cable Console CC600	pcs	1	0.94 (2.07)
3	M6x28 screw	pcs	2	0.006 (0.013)
4	6/125 washer	pcs	4	0.001 (0.002)
5	Spring washer 6	pcs	2	0.0004 (0.0009)
6	M6 nut	pcs	2	0.01 (0.022)

II. Perforated bottom cable tray PB - supporting construction fastening



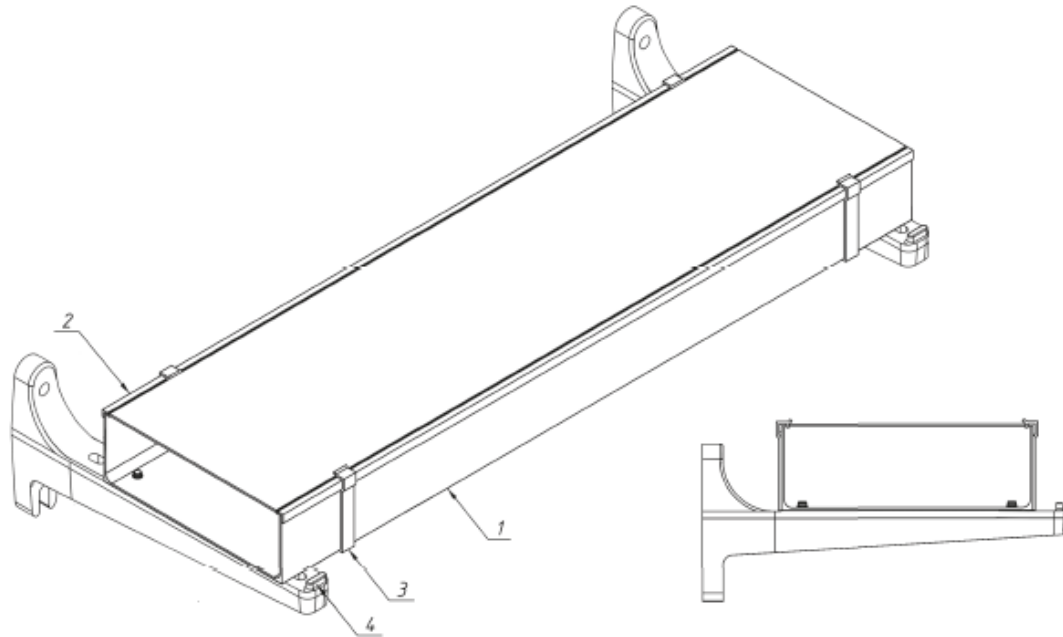
#	Item	Unit of Measure	Quantity	Unit Weight kg (lb)
1	Solid Bottom Cable Tray	m/in	n	-
2	Cable Console CC600	pcs	1	0.94 (2.07)
3	M6x28 screw	pcs	2	0.006 (0.013)
4	6/125 washer	pcs	4	0.001 (0.002)
5	Spring washer 6	pcs	2	0.0004 (0.0009)
6	M6 nut	pcs	2	0.01 (0.022)

III. Ladder cable tray L - supporting construction fastening



#	Item	Unit of Measure	Quantity	Unit Weight kg (lb)
1	Solid Bottom Cable Tray	m/in	n	-
2	Cable Console CC600	pcs	1	0.94 (2.07)
3	M6x28 screw	pcs	2	0.006 (0.013)
4	6/125 washer	pcs	4	0.001 (0.002)
5	Spring washer 6	pcs	2	0.0004 (0.0009)
6	M6 nut	pcs	2	0.01 (0.022)

IV. Fiberglass cable tray cover fastening to cable trays SB/PB/L



For section length 3000 mm (118.11 in)

#	Item	Unit of Measure	Quantity	Unit Weight kg (lb)
1	SB, PB, L Cable Tray	m/in	3	-
2	Cable Tray Cover 3000 mm (118.11 in)	pcs	1	-
3	Cable Tray Cover Latch	pcs	4	-

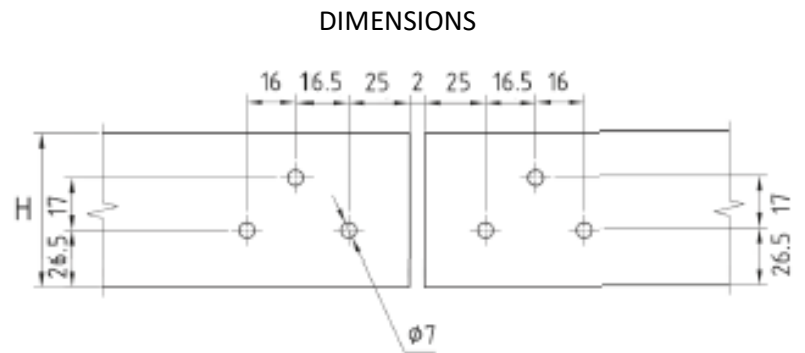
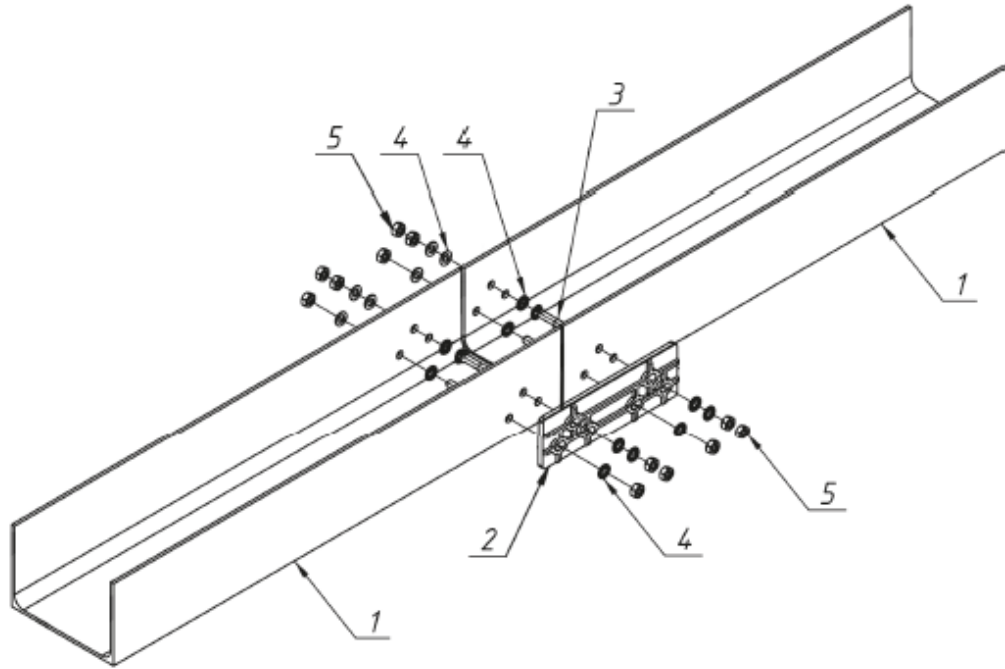
For section length 6000 mm (236.22 in)

#	Item	Unit of Measure	Quantity	Unit Weight kg (lb)
1	SB, PB, L Cable Tray	m/in	6	-
2	Cable Tray Cover 6000 mm (236.22 in)	pcs	1	-
3	Cable Tray Cover Latch	pcs	6	-

V. Solid bottom SB, perforated bottom PB tray's straight-line section connection

Tray height H: 60 mm (2.36 in)

Tray width B: 60 mm (2.36 in)



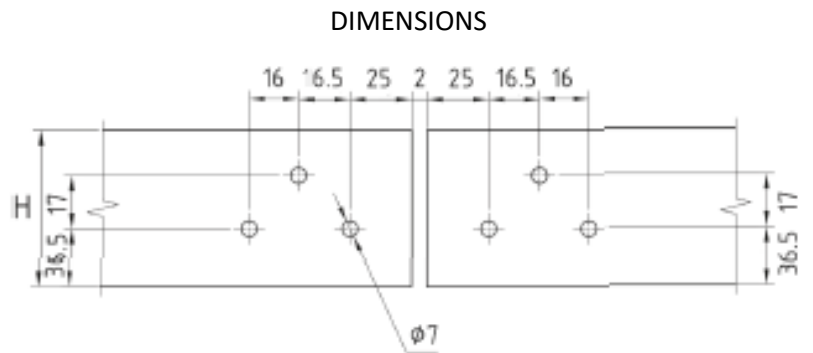
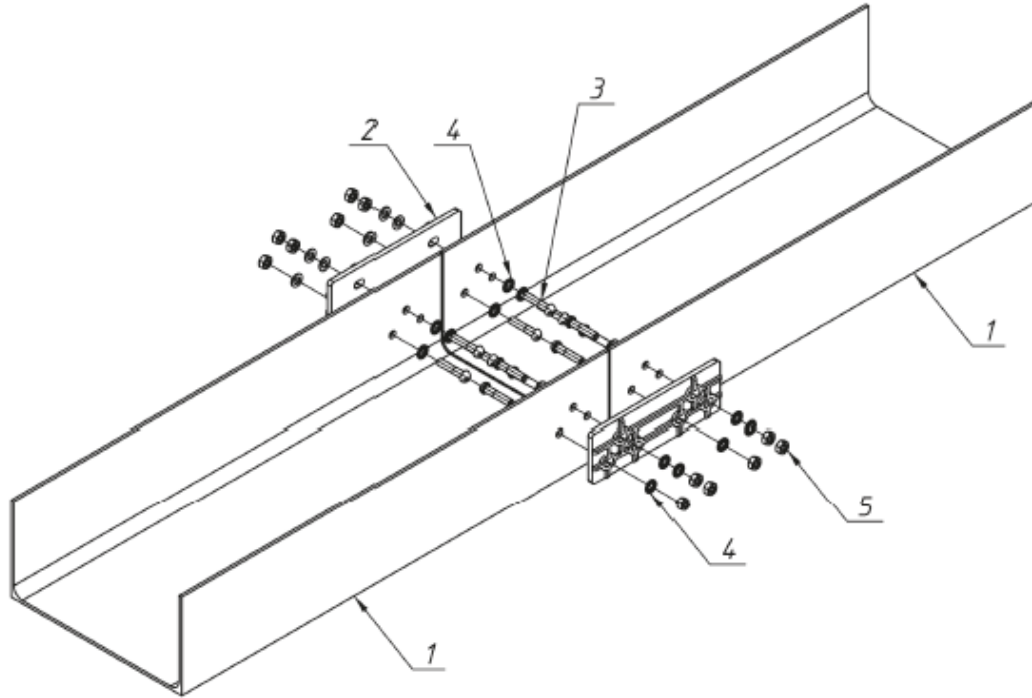
#	Item	Unit of Measure	Quantity	Unit Weight kg (lb)
1	SB, PB Cable Tray	m/in	n	-

#	Item	Unit of Measure	Quantity	Unit Weight kg (lb)
2	Coupler Plate CP H-1	pcs	2	0.053 (0.117)
3	M6x32 screw	pcs	12	0.007 (0.015)
4	6/125 washer	pcs	24	0.001 (0.002)
5	M6 nut	pcs	12	0.01 (0.022)

VI. Solid bottom SB, perforated bottom PB tray's straight-line section connection

Tray height H: 80 mm (3.15 in)

Tray width B: 100 mm (3.94 in), 200 mm (7.87 in)



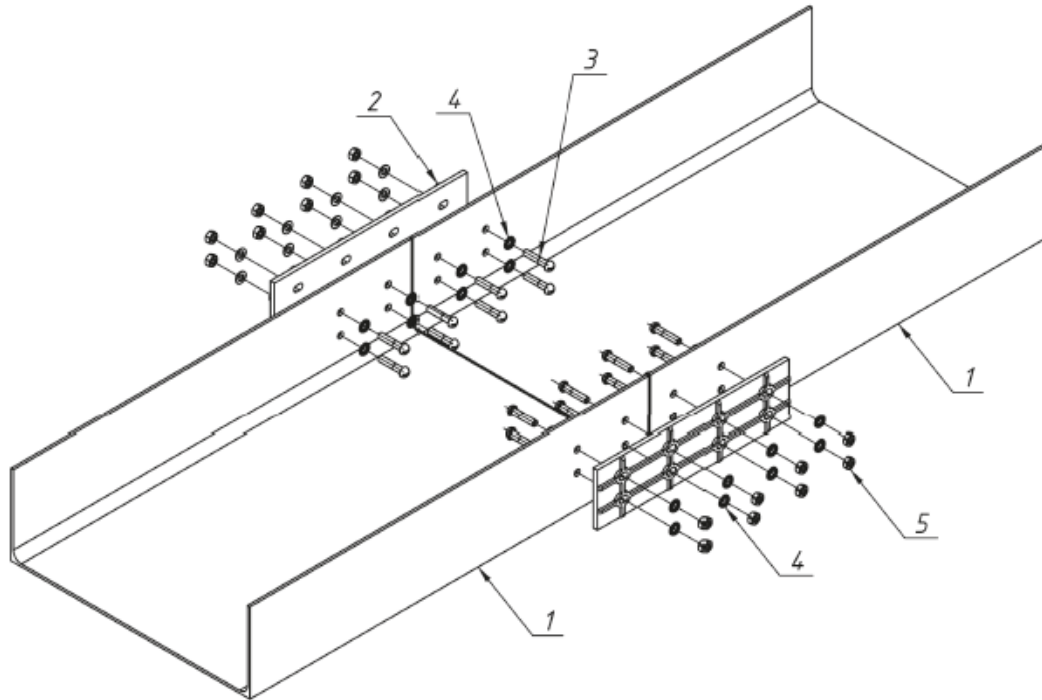
#	Item	Unit of Measure	Quantity	Unit Weight kg (lb)
1	SB, PB Cable Tray	m/in	n	-
2	Coupler Plate CP H-1	pcs	2	0.053 (0.117)

#	Item	Unit of Measure	Quantity	Unit Weight kg (lb)
3	M6x32 screw	pcs	12	0.007 (0.015)
4	6/125 washer	pcs	24	0.001 (0.002)
5	M6 nut	pcs	12	0.01 (0.022)

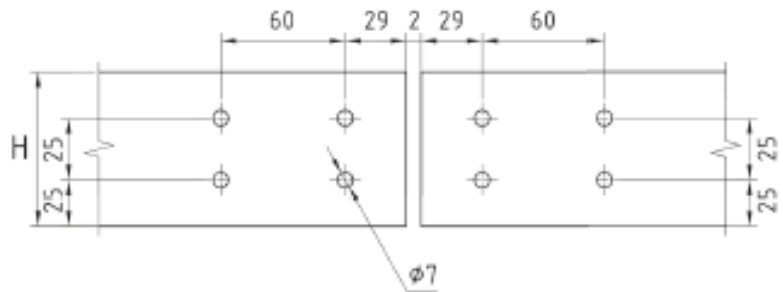
VII. Solid bottom SB, perforated bottom PB tray's straight-line section connection

Tray height H: 80 mm (3.15 in)

Tray width B: 300 mm (11.81 in), 400 mm (15.75 in), 500 mm (19.69 in)



DIMENSIONS



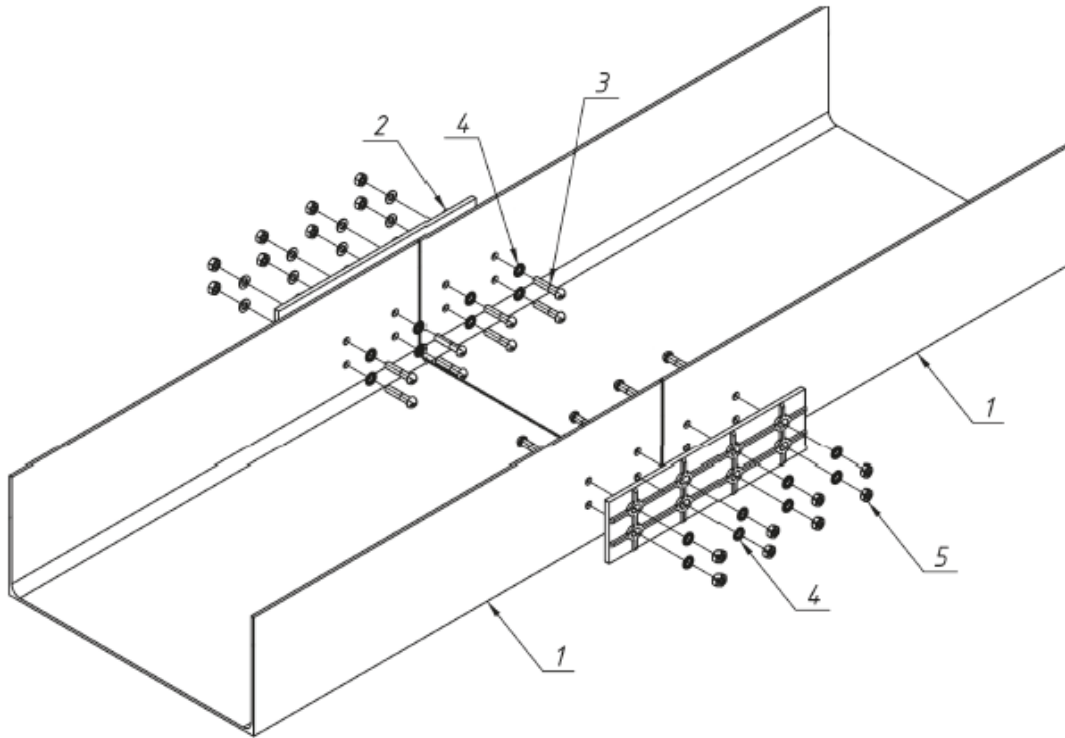
#	Item	Unit of Measure	Quantity	Unit Weight kg (lb)
1	SB, PB Cable Tray	m/in	n	-

#	Item	Unit of Measure	Quantity	Unit Weight kg (lb)
2	Coupler Plate CP H-1	pcs	2	0.163 (0.359)
3	M6x32 screw	pcs	16	0.007 (0.015)
4	6/125 washer	pcs	32	0.001 (0.002)
5	M6 nut	pcs	16	0.01 (0.022)

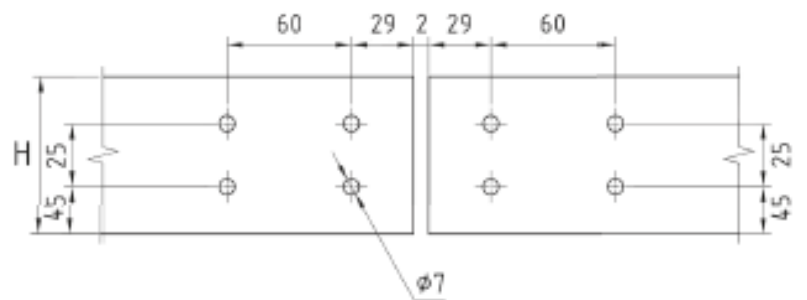
VIII. Solid bottom SB, perforated bottom PB tray's straight-line section connection

Tray height H: 100 mm (3.94 in)

Tray width B: 100 mm (3.94 in), 200 mm (7.87 in), 300 mm (11.81 in), 400 mm (15.75 in)



DIMENSIONS



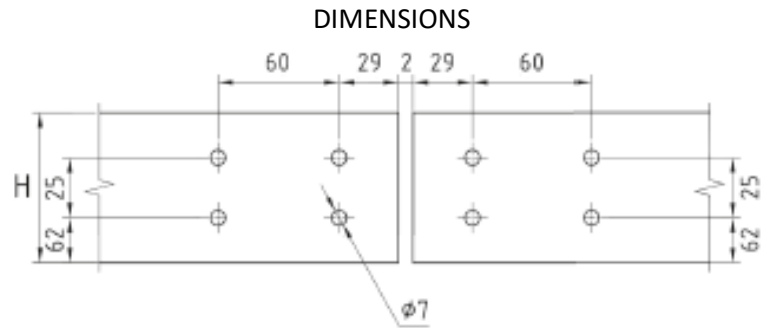
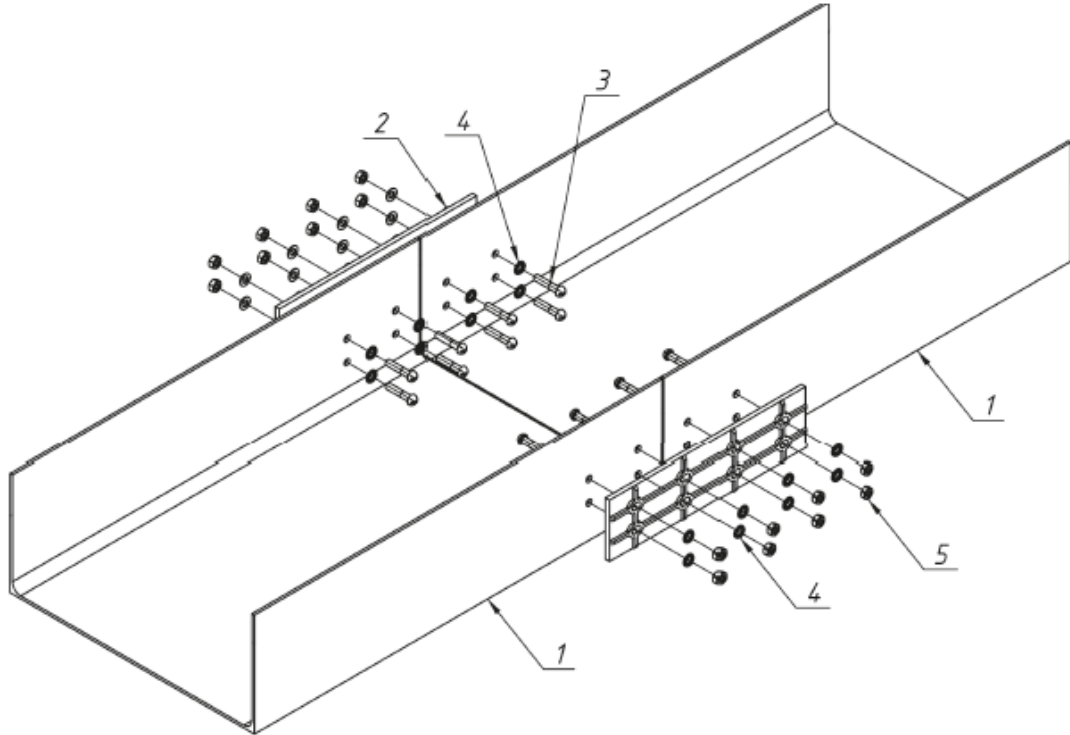
#	Item	Unit of Measure	Quantity	Unit Weight kg (lb)
1	SB, PB Cable Tray	m/in	n	-

#	Item	Unit of Measure	Quantity	Unit Weight kg (lb)
2	Coupler Plate CP H-1-M	pcs	2	0.163 (0.359)
3	M6x32 screw	pcs	16	0.007 (0.015)
4	6/125 washer	pcs	32	0.001 (0.002)
5	M6 nut	pcs	16	0.01 (0.022)

IX. Solid bottom SB, perforated bottom PB tray's straight-line section connection

Tray height H: 150 mm (5.91 in)

Tray width B: 500 mm (19.69 in)



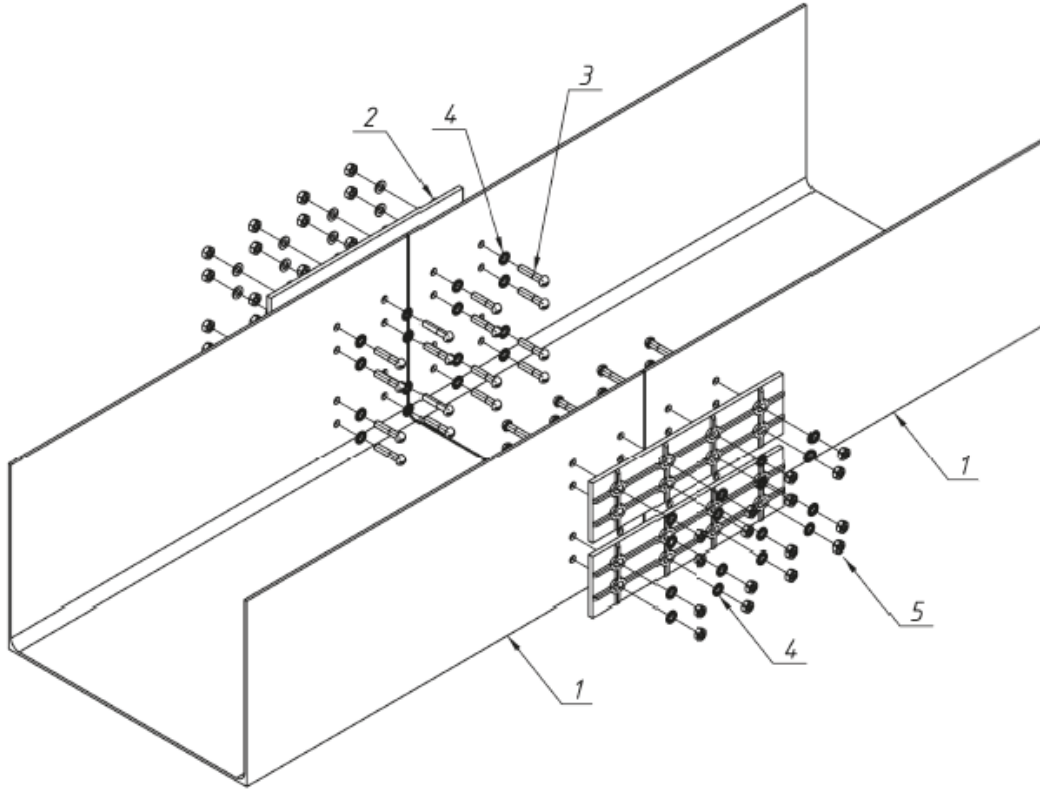
#	Item	Unit of Measure	Quantity	Unit Weight kg (lb)
1	SB, PB Cable Tray	m/in	n	-

#	Item	Unit of Measure	Quantity	Unit Weight kg (lb)
2	Coupler Plate CP H-1-M	pcs	2	0.163 (0.359)
3	M6x32 screw	pcs	16	0.007 (0.015)
4	6/125 washer	pcs	32	0.001 (0.002)
5	M6 nut	pcs	16	0.01 (0.022)

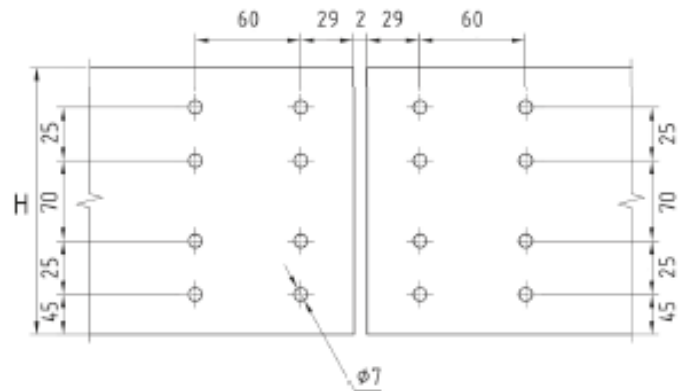
X. Solid bottom SB, perforated bottom PB tray's straight-line section connection

Tray height H: 200 mm (7.87 in)

Tray width B: 200 mm (7.87 in)



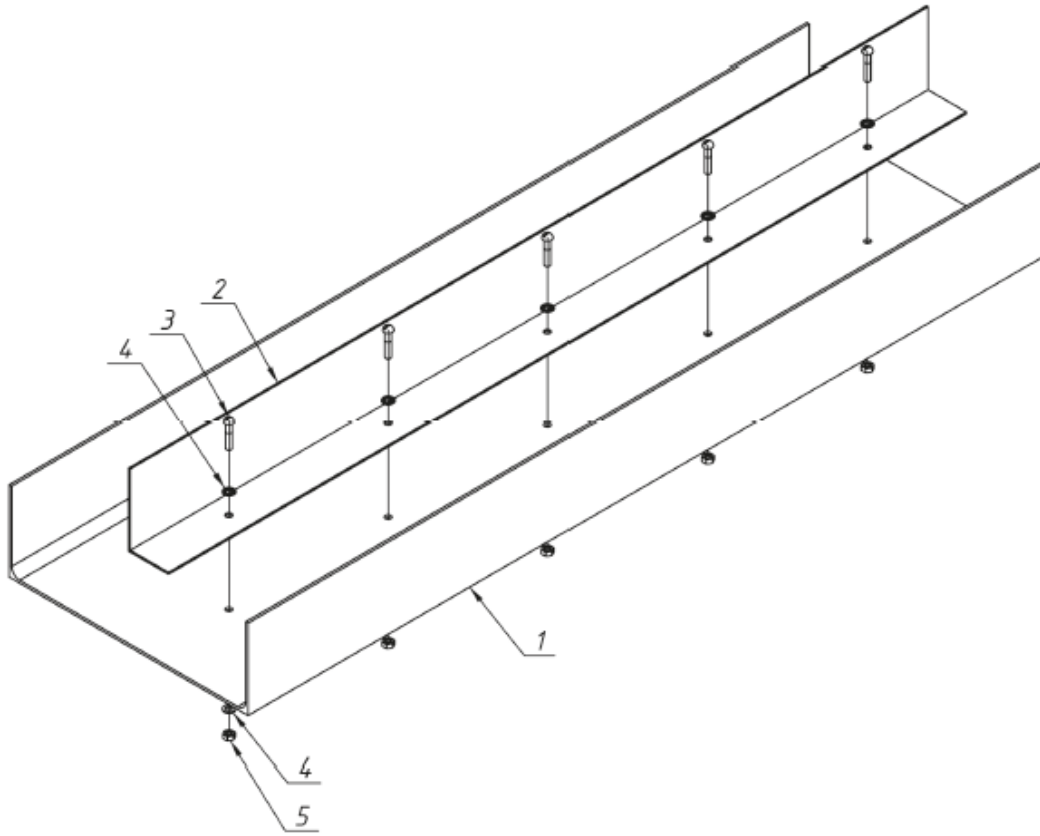
DIMENSIONS



#	Item	Unit of Measure	Quantity	Unit Weight kg (lb)
1	SB, PB Cable Tray	m/in	n	-

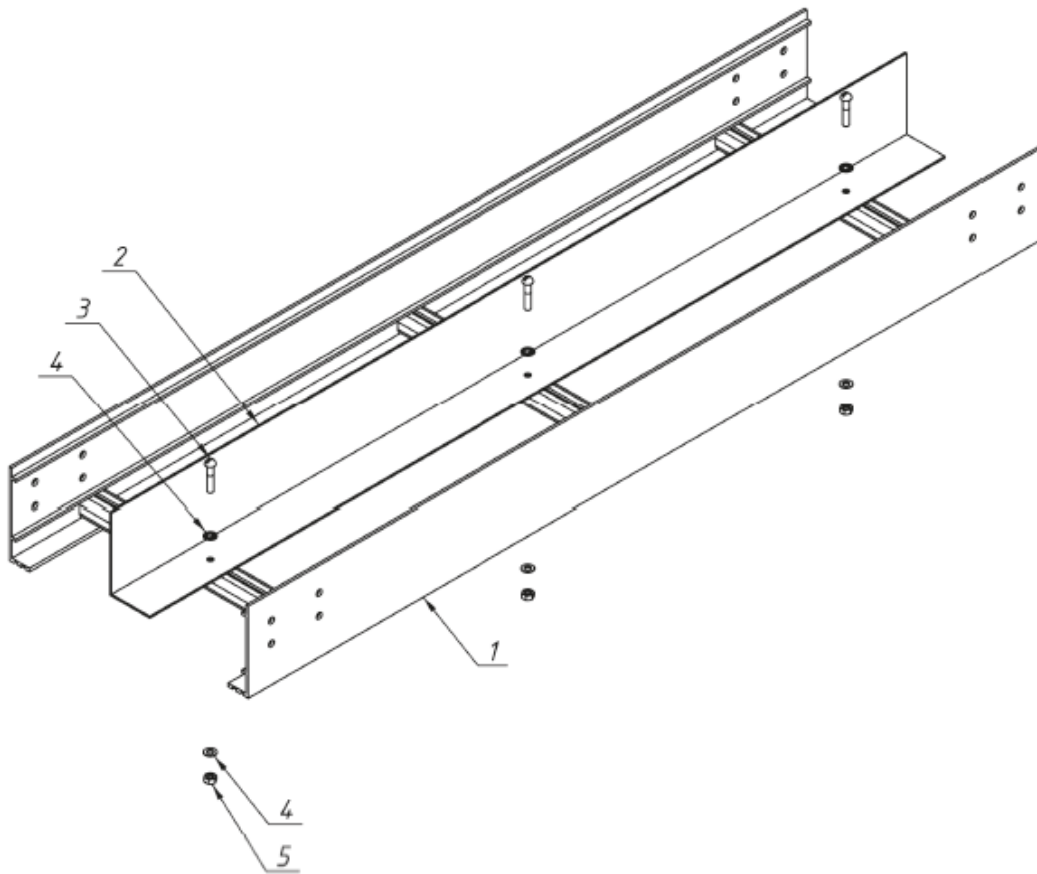
#	Item	Unit of Measure	Quantity	Unit Weight kg (lb)
2	Coupler Plate CP H-1-M	pcs	2	0.163 (0.359)
3	M6x32 screw	pcs	16	0.007 (0.015)
4	6/125 washer	pcs	32	0.001 (0.002)
5	M6 nut	pcs	16	0.01 (0.022)

XI. Tray divider installation into the cable tray



#	Item	Unit of Measure	Quantity	Unit Weight kg (lb)
1	SB, PB Cable Tray	m/in	n	-
2	Tray Divider TD 70/90	pcs	n	-
3	M6x28 screw	pcs	1	0.006 (0.013)
4	6/125 washer	pcs	2	0.001 (0.002)
5	M6 nut	pcs	1	0.01 (0.022)

XII. Tray divider installation into the cable tray



#	Item	Unit of Measure	Quantity	Unit Weight kg (lb)
1	SB, PB Cable Tray	m/in	n	-
2	Tray Divider TD 70/90	pcs	n	-
3	M6x28 screw	pcs	1	0.006 (0.013)
4	6/125 washer	pcs	2	0.001 (0.002)
5	M6 nut	pcs	1	0.01 (0.022)